

XT400

EPS Foam Densifier



Turn your Foam Waste into an Income Source...

and say good-bye to your foam waste hauling bill.

The **XT400** EPS Foam Densifier by **RecycleTech** can reduce your total waste hauling cost by up to **80%**.

Our clients are not only saving thousands of dollars daily, but also ***generating income** from their EPS foam waste!

**RecycleTech will buy back 100% of your densified EPS.*

• Applications

- Mid-sized distribution centers / manufacturers
- Mid-sized electronic recycle & repair centers & more

• Why XT400

- Cost effective for mid to large sized operations
- Installable in relatively small space



Patent Pending

How it Works - Volume Reduction Ratio of up to 90 to 1.



Densifies up to 400 lbs of EPS foam per hour.

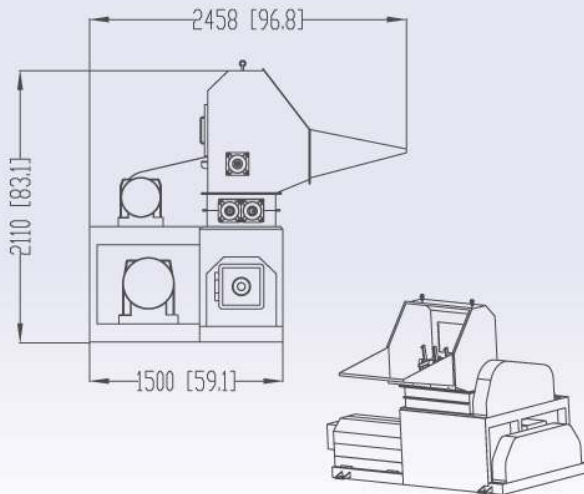
XT400

EPS Foam Densifier



XT400

- Weight : 5500 lbs
- Capacity : up to 400 lbs/hour
- Overall Dimensions : 59 / 97" (W) x 108"(L) x 83"(H)
- Hopper Opening : 36" x 36"
- Power Requirements : 480 Volt / 3 Phase / 35~100 Amp
(220 Volt option Available)



RecycleTech is a full service recycling company specialized in EPS foam recycling solutions.

We purchase all types of Plastic Scrap.



**Save Earth,
Save Money!**



RECYCLETECH
EPS Recycling Solutions

www.recycletechno.com / info@recycletechno.com

Corporate Headquarters / Sales Office
418 Falmouth Ave. Elmwood Park, NJ 07407
Phone 201-475-5000 / Fax 201-475-5001

U.S. South East Facility
3030 Reynolds Road. Lakeland, FL 33803
Phone 863-665-3755 / Fax 863-665-3866

XT200

Compact Foam Densifier



XT200

- Weight : 1400 lbs
 - Capacity : 200 lbs/hour
 - Overall Dimensions : 47"(W) X 43"(L) X 65"(H)
 - Hopper Opening : 25" X 20"
 - Power Requirements : 220 Volt / 3 Phase / 16~50 Amp
- Check our "Wet" model for wet material processing.*

XT300

PS/PP/PE Foam Densifier



XT300

- Weight : 2350 lbs
- Capacity : 300 lbs/hour (PS)
- Overall Dimensions : 55.6"(W) X 42"(L) X 74.5"(H)
- Hopper Opening : 24.5" X 23"
- Power Requirements : 480 Volt / 3 Phase / 20~32 Amp
- Process Material : **PS/PP/PE** foam

XT500

Mid-Size Foam Densifier with Conveyor System



XT500

- Weight : 6400 lbs
- Capacity : 500 lbs/hour
- Overall Dimensions : 108"(W) X 186"(L) X 83"(H)
- Hopper Opening : 36" X 36"
- Power Requirements : 460 Volt / 3 Phase / 35~100 Amp

XT700

Large-Size Foam Densifier with Conveyor and Silo System



XT700

- Weight : 7000 lbs
- Capacity : 700 lbs/hour
- Overall Dimensions : 181"(W) X 186"(L) X 248"(H)
- Hopper Opening : 36" X 36"
- Power Requirements : 460 Volt / 3 Phase / 35~120 Amp