

XT70

Multiple Foam Densifier



Think small... & Versatile.

Densify all the foam waste you have... and save.

The Compact, Versatile **XT70 Multiple Foam Densifier** by **RecycleTech** is designed to be installed in smaller places, and to process **EPS, EPP, EPE, & PSP** wastes including food trays* and foam cups & containers.

Our clients are not only saving thousands of dollars daily on their waste hauling cost, but also **generating income** with our foam densifiers!

RecycleTech will buy back 100% of your densified foam waste.



• Applications

- Schools, hospitals, and organizations with cafeterias
- Small-sized warehouses/retail stores
- Grocery markets

• Why XT70

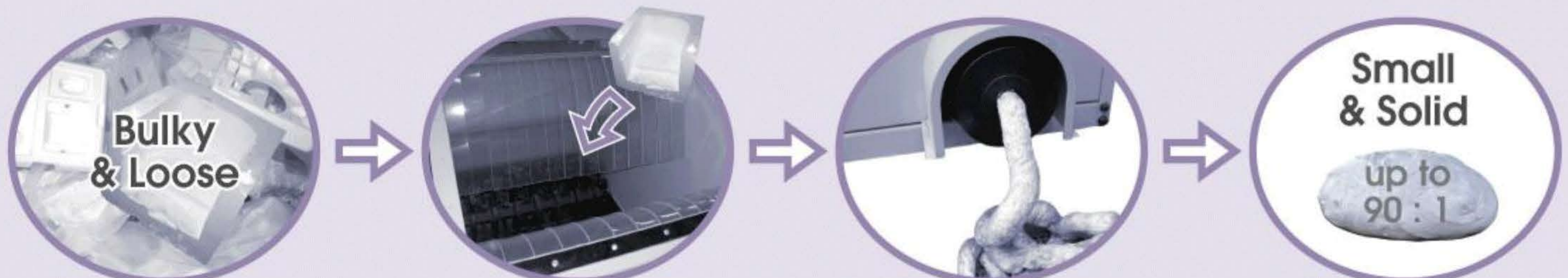
- Processes Multiple Materials - i.e. **Food trays***, **containers**, and **EPE packaging blocks**
- Compact size fits smaller spaces
- Competitively priced / Cost effective
- Easy to move around (Can be mounted on a truck to form a *Mobile Foam Recycling Station*)

*Food containers need to be free of food waste



Patent Pending

How it Works - Volume Reduction Ratio of up to 90 to 1.



Densifies up to 50 lbs of foam per hour.

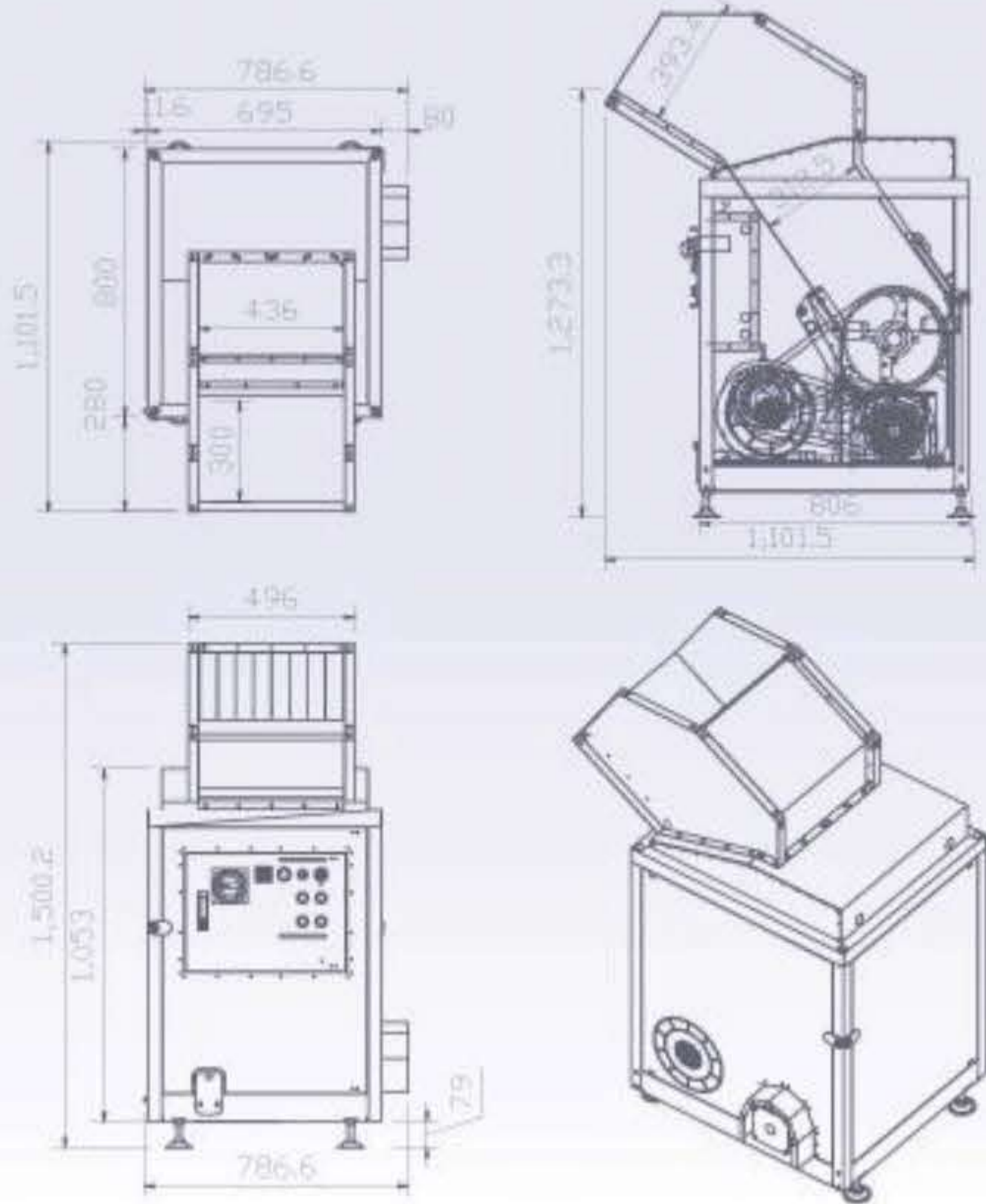
XT70

Multiple Foam Densifier



XT70

- Materials Processed: **EPS, EPP, EPE, & PSP**
- Maximum Capacity: 50 lbs/hour
- Overall Dimensions: 31"(W) x 43 "(L) x 55"(H)
- Weight: 908 lbs - Hopper Opening: 17" x 12"
- Power Requirements: 220 Volt / 3 Phase / 16~30 Amp (50 Amp circuit breaker required)



* Please note that the design and specifications of the products are subject to change without notice.

RecycleTech is a full service recycling company specialized in EPS foam recycling solutions.

We purchase all types of Plastic Scrap.



**Save Earth,
Save Money!**



www.recycletechno.com / info@recycletechno.com

Corporate Headquarters / Sales Office
418 Falmouth Ave. Elmwood Park, NJ 07407
Phone 201-475-5000 / Fax 201-475-5001

XT70

Multiple Foam Densifier

XT70

- Materials: EPS, EPP, EPE, & PSP
- Weight : 908 lbs
- Capacity : 50 lbs/hour
- Overall Dimensions : 31"(W) X 43"(L) X 55"(H)
- Hopper Opening : 17" X 12"
- Power Requirements : 220 Volt / 3 Phase / 16~30 Amp (50 Amp circuit breaker required)



XT200

Compact Foam Densifier

XT200

- Weight : 1400 lbs
- Capacity : 200 lbs/hour
- Overall Dimensions : 47"(W) X 43"(L) X 65"(H)
- Hopper Opening : 25" X 20"
- Power Requirements : 220 Volt / 3 Phase / 16~40 Amp (60 Amp circuit breaker required)
- Check our "Wet" model



XT400

Mid-Size Foam Densifier

XT400

- Weight : 5500 lbs
- Capacity : 400 lbs/hour
- Overall Dimensions : 97.5"(W) X 128(L) X 129"(H)
- Hopper Opening : 34.5" X 29"
- Power Requirements : 480 Volt / 70 amp/



XT500

Mid-Size Foam Densifier with Conveyor System

XT500

- Weight : 5500 lbs
- Capacity : 400 lbs/hour
- Overall Dimensions : 97.5"(W) X 128(L) X 129"(H)
- Hopper Opening : 34.5" X 29"
- Power Requirements : 480 Volt / 70 amp/

