

XT400

EPS Foam Densifier



Turn your Foam Waste into an Income Source...



and say good-bye to your foam waste hauling bill.

The **XT400** EPS Foam Densifier by **RecycleTech** can reduce your total waste hauling cost by up to **80%**.

Our clients are not only saving thousands of dollars daily, but also ***generating income** from their EPS foam waste!

**RecycleTech will buy back 100% of your densified EPS.*

• Applications

- Mid-sized distribution centers / manufacturers
- Mid-sized electronic recycle & repair centers & more

• Why XT400

- Cost effective for mid to large sized operations
- Installable in relatively small space

How it Works - Volume Reduction Ratio of up to 90 to 1.



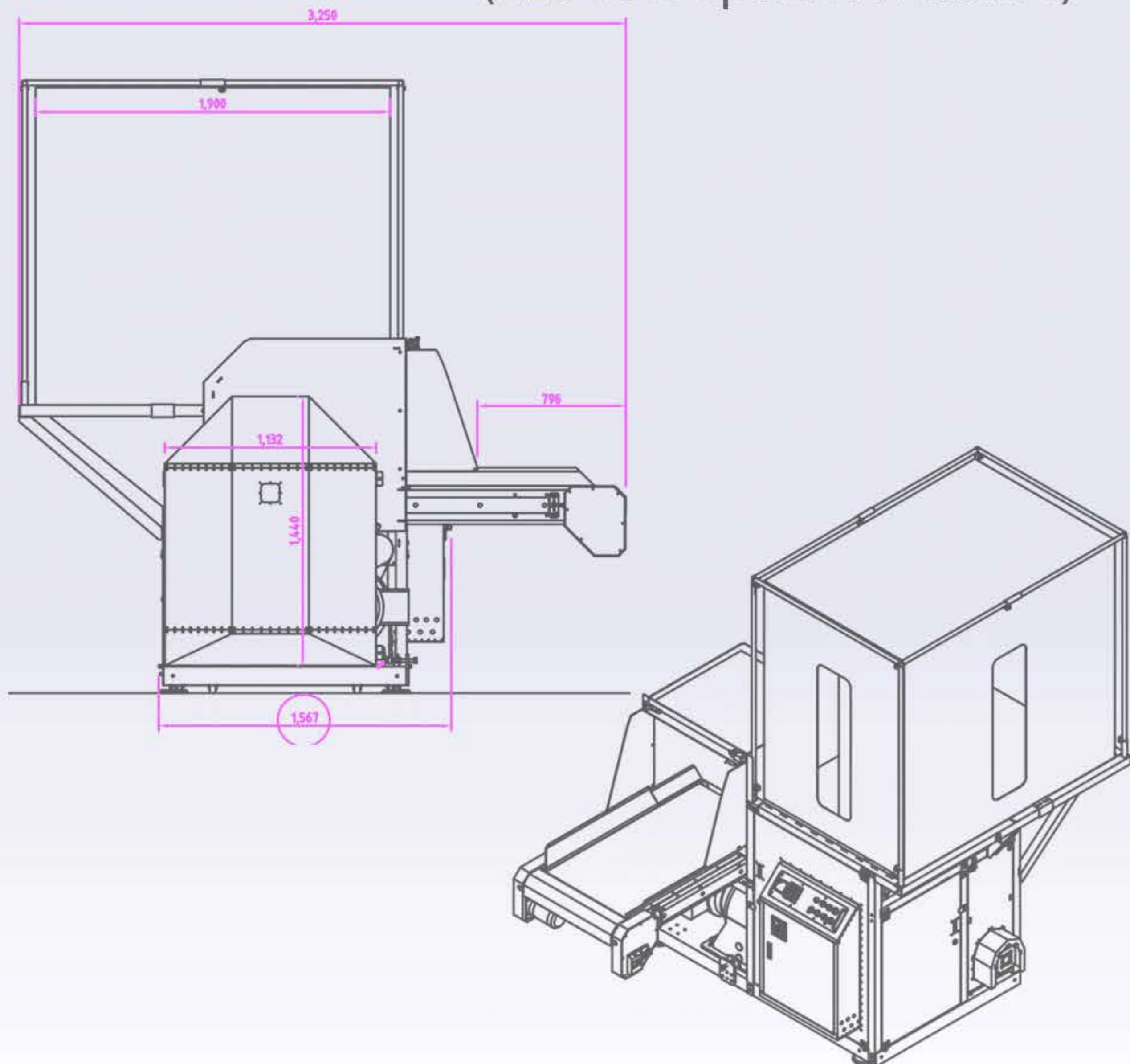
Densifies up to 400 lbs of EPS foam per hour.

XT400 EPS Foam Densifier



XT400

- Weight : 5500 lbs
- Capacity : up to 400 lbs/hour
- Overall Dimensions : 97.5"(W) x 128"(L) x 129"(H)
- Hopper Opening : 34.5" x 29"
- Power Requirements : 480 Volt / 3 Phase / 70 Amp
(220 Volt option Available)



RecycleTech is a full service recycling company specialized in EPS foam recycling solutions.

We purchase all types of Plastic Scrap.



**Save Earth,
Save Money!**



RECYCLETECH
EPS Recycling Solutions

www.recycletechno.com / info@recycletechno.com

Corporate Headquarters / Sales Office
418 Falmouth Ave. Elmwood Park, NJ 07407
Phone 201-475-5000 / Fax 201-475-5001

XT70 Multiple Foam Densifier

XT70

- Materials: EPS, EPP, EPE, & PSP
- Weight : 908 lbs
- Capacity : 50 lbs/hour
- Overall Dimensions :
31"(W) X 43"(L) X 55"(H)
- Hopper Opening : 17" X 12"
- Power Requirements :
220 Volt / 3 Phase / 60 Amp
(60 Amp circuit breaker required)



XT200 Compact Foam Densifier

XT200

- Weight : 1400 lbs
- Capacity : 200 lbs/hour
- Overall Dimensions :
47"(W) X 43"(L) X 65"(H)
- Hopper Opening : 25" X 20"
- Power Requirements :
220 Volt / 3 Phase / 60 Amp
(60 Amp circuit breaker required)
- Check our "Wet" model



XT400 Mid-Size Foam Densifier

XT400

- Weight : 5500 lbs
- Capacity : 400 lbs/hour
- Overall Dimensions :
97.5"(W) X 128(L) X 129"(H)
- Hopper Opening : 34.5" X 29"
- Power Requirements :
480 Volt / 3 Phase/ 70 Amp



XT500 Mid-Size Foam Densifier with Conveyor System

XT500

- Weight : 5500 lbs
- Capacity : 500 lbs/hour
- Overall Dimensions :
97.5"(W) X 128(L) X 129"(H)
- Hopper Opening : 34.5" X 29"
- Power Requirements :
480 Volt / 3 Phase/ 70 Amp

