

XT200

EPS Foam Densifier



Turn your Foam Waste into a Valuable Resource...



Patent Pending

and say good-bye to your foam waste hauling bill.

The **XT200** EPS Foam Densifier by **RecycleTech** can reduce your total waste hauling cost by up to **80%**.

Our clients are not only saving thousands of dollars daily, but also ***generating income** from their EPS foam waste!

** RecycleTech will buy back 100% of your densified EPS.*

• Applications

- Small to mid-sized warehouses/retail stores
- Small to mid-sized electronic recycle & repair centers
- Schools or Government Offices

• Why XT200

- Competitively priced / Cost effective
- Convenient and Safe for public use
- Easy to move around (Can be mounted on a truck to form a *Mobile EPS Recycling Station*)
- Easy to maintain

How it Works - Volume Reduction Ratio of up to 90 to 1.



Densifies up to 200 lbs of EPS foam per hour.

XT200

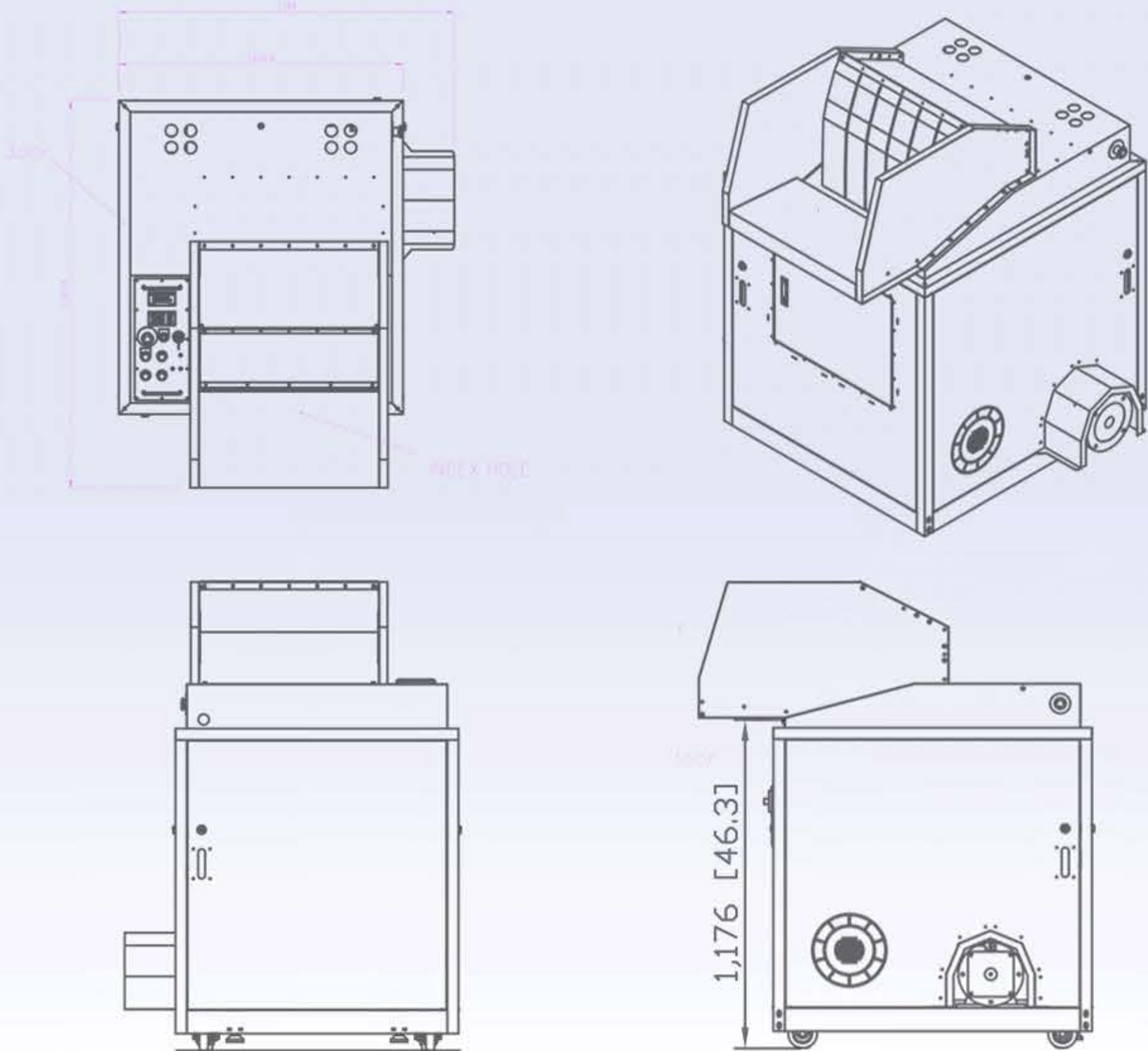
EPS Foam Densifier



XT200

- Weight : 1,400 lbs
- Capacity : up to 200 lbs/hour
- Dimensions (w/ safety guard) : 47"(W) x 43"(L) x 65"(H)
- Hopper Opening : 25" x 20"
- Power Requirements : 220 Volt / 3 Phase / 60 Amp

Check our "Wet" model for wet material processing.



RecycleTech is a full service recycling company specialized in EPS foam recycling solutions.

We purchase all types of Plastic Scrap.



**Save Earth,
Save Money!**



RECYCLETECH
EPS Recycling Solutions

www.recycletechno.com / info@recycletechno.com

Corporate Headquarters / Sales Office
418 Falmouth Ave. Elmwood Park, NJ 07407
Phone 201-475-5000 / Fax 201-475-5001

XT70

Multiple Foam Densifier

XT70

- Materials: EPS, EPP, EPE, & PSP
- Weight : 908 lbs
- Capacity : 50 lbs/hour
- Overall Dimensions : 31"(W) X 43"(L) X 55"(H)
- Hopper Opening : 17" X 12"
- Power Requirements : 220 Volt / 3 Phase / 60 Amp (60 Amp circuit breaker required)



XT200

Compact Foam Densifier

XT200

- Weight : 1400 lbs
- Capacity : 200 lbs/hour
- Overall Dimensions : 47"(W) X 43"(L) X 65"(H)
- Hopper Opening : 25" X 20"
- Power Requirements : 220 Volt / 3 Phase / 60 Amp (60 Amp circuit breaker required)
- Check our "Wet" model



XT400

Mid-Size Foam Densifier

XT400

- Weight : 5500 lbs
- Capacity : 400 lbs/hour
- Overall Dimensions : 97.5"(W) X 128(L) X 129"(H)
- Hopper Opening : 34.5" X 29"
- Power Requirements : 480 Volt / 3 Phase / 70 Amp



XT500

Mid-Size Foam Densifier with Conveyer System

XT500

- Weight : 5500 lbs
- Capacity : 500 lbs/hour
- Overall Dimensions : 97.5"(W) X 128(L) X 129"(H)
- Hopper Opening : 34.5" X 29"
- Power Requirements : 480 Volt / 3 Phase / 70 Amp

